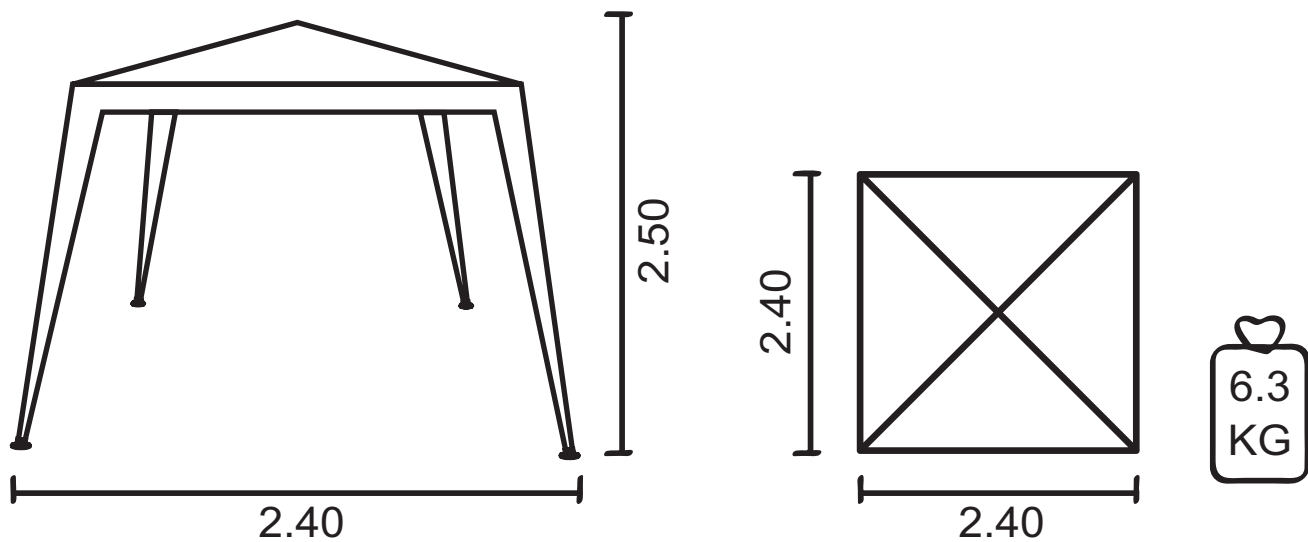


Gazebo

Garden umbrellas, beach and field



Approx. measurements and weight of product.

RECOMMENDATIONS THAT WILL ADD LIFETIME TO YOUR GARDEN UMBRELLA.

1. Always read instructions before assembling product.
2. The Garden Umbrella must be firmly fixed on a flat surface.
3. This product's cords and lines must always be stretched tightly – 1 meter approx. from its legs to ensure it does not wobble in case of rain or wind.
4. Product cannot be exposed to strong wind and heavy rain. It's advisable to disassemble it in order to prevent tube damage.
5. Never store it when wet.
6. To clean utilize a wet cloth or a soft brush.
7. Under no circumstances use detergents or solvents to clean it.
8. Do not leave your Garden Umbrella too long in the sun or rain – this can cause a much faster wear-and-tear of the canvas.
9. Keep equipment such as oil lamps and cookers as well as other inflammable liquid objects away from canvas to prevent fires.
10. Do not install electrical connections and do not use this product on a permanent basis exposing it to climate changes.