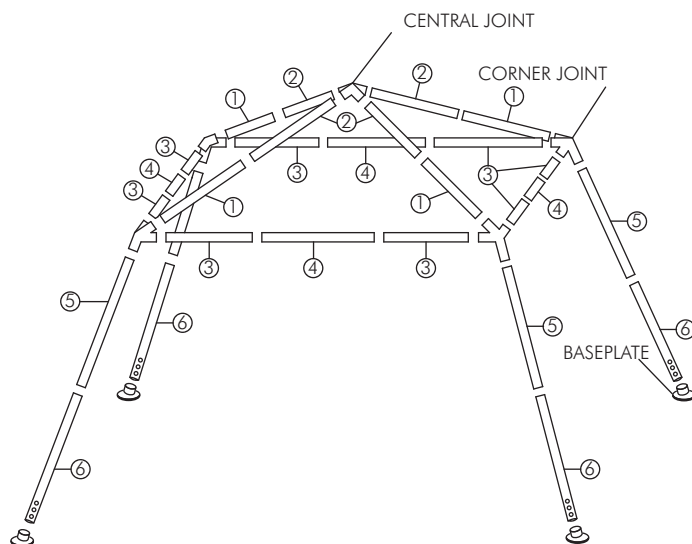







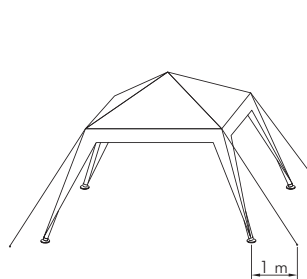
GAZEBO INSTRUCTIONS

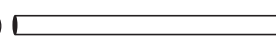
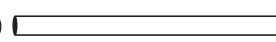
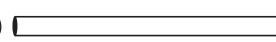
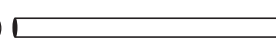
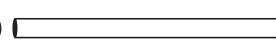
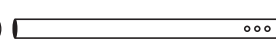
- 1 - Fit in tubes 3 and 4 making a square.
- 2 - Fit in tubes 1 and 2 forming an "X" over the already assembled square.
- 3 - Now fit the tubes mentioned above onto the plastic connections as per drawing.
- 4 - Place tube 5 on the plastic connection to mount the support of the framework.
- 5 - Wrap plastic sheet around framework – remember to place the Capri logo on the outside.
- 6 - Fit in tube 6 as per drawing – this way raising the Garden Umbrella.
- 7 - Strap the canvas onto tubes.
- 8 - Adjust legs and place them at a distance of 3 meters.
- 9 - Use extra spikes to fix it into soil.
- 10 - Use cords around the canvas in accordance with drawing, and stretch them diagonally - keeping a distance of 1 meter between the gazebo's legs.

Indústria e Comércio de Barracas Capri Ltda.
 Rua Neuchatel, 348 - V. Friburgo - CEP 04781-030
 São Paulo - SP - Tel.: (11) 2161-0666
 CNPJ: 05.459.647/0001-08



- | | |
|---------------|--|
| CENTRAL JOINT |  x4 |
| CORNER JOINT |  x1 |
| BASEPLATE |  x4 |
| CORD |  x4 |
| SPIKE |  x8 |



- | | |
|---|--|
| ① |  x4 |
| ② |  x4 |
| ③ |  x8 |
| ④ |  x4 |
| ⑤ |  x4 |
| ⑥ |  x4 |

www.capriweb.com.br - e-mail: sac@capriweb.com.br